



Coil Type 30XDM INSTRUCTIONS





MANUFACTURER NAME: AMISCO S.p.A.
ADDRESS: via Piaggio, 70 – Paderno D. – MI – ITALY
WEB SITE: www.amisco.it
TYPE: 30XDM
N° N.B.: 0722
GROUP: II
CATEGORY: 2G and 2D
GAS AND COMBUSTIBLE DUST ATMOSPHERE EQUIPMENT
EXPLOSION PROTECTION FOR:
 - GAS ATMOSPHERE Encapsulation “m”, level “mb”
 Flameproof enclosure “d”, level “db”
 - COMBUSTIBLE DUST Enclosure “t”, level “tb”
CERTIFICATE NUMBER: TÜV IT 13 ATEX 040
VOLTAGE TOLERANCE: ±10%
DUTY CYCLE: 100% ED
AMBIENT TEMPERATURE: -50°C ÷ +50°C

ELECTRICAL DATA:

DC Coils

Coil		Vn	f	I	P	Temperature
Type	Code	[V]	[Hz]	[A]	[W]	Class
30XDM	30XDMD006W300	6	-	0.510	3	T5
30XDM	30XDMD012W300	12	-	0.250	3	T5
30XDM	30XDMD024W300	24	-	0.125	3	T5
30XDM	30XDMD048W300	48	-	0.063	3	T5
30XDM	30XDMD006W400	6	-	0.640	3.8	T4
30XDM	30XDMD012W400	12	-	0.320	3.8	T4
30XDM	30XDMD024W400	24	-	0.160	3.8	T4
30XDM	30XDMD048W400	48	-	0.080	3.8	T4

AC Coils

Coil		Vn	f	I	P	Temperature
Type	Code	[V]	[Hz]	[A]	[VA]	Class
30XDM	30XDMA012W200	12	50/60	0.2700	3.2	T5
30XDM	30XDMA024W200	24	50/60	0.1330	3.2	T5
30XDM	30XDMA048W200	48	50/60	0.0670	3.2	T5
30XDM	30XDMA100W200	100	50/60	0.0320	3.2	T5
30XDM	30XDMA110W200	110	50/60	0.0290	3.2	T5
30XDM	30XDMA115W200	115	50/60	0.0280	3.2	T5
30XDM	30XDMA120W200	120	50/60	0.0270	3.2	T5
30XDM	30XDMA220W200	220	50/60	0.0146	3.2	T5
30XDM	30XDMA230W200	230	50/60	0.0140	3.2	T5
30XDM	30XDMA240W200	240	50/60	0.0134	3.2	T5



ATEX Marking

Product is designed and constructed to respond on requirements of **category 2** (as defined by Directive 2014/34/EU) to be used in the following zones, in compliance to Directive 99/92/EC):

Zone (Dir. 99/92/EC)	Category (Dir. 2014/34/EU)	Description
1 and 2	2G	Equipment in this category is intended for use in areas in which explosive atmospheres caused by gases, vapours, mists or air/dust mixtures are likely to occur occasionally.
21 and 22	2D	The means of protection relating to equipment in this category ensure the requisite level of protection, even in the event of frequently occurring disturbances or equipment faults which normally have to be taken into account.

Definitions and Symbols

Our Marking



II 2G Ex db mb IIC Tx Gb
II 2D Ex tb IIIC Tx°C Db

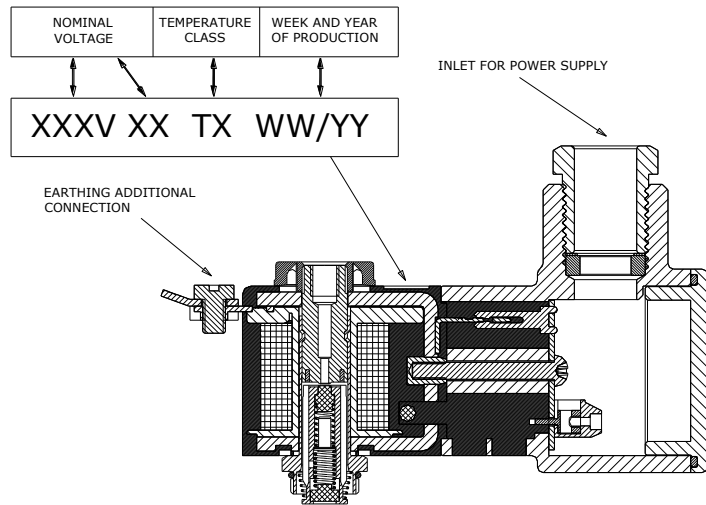
Where:



Marking for Product included in EC product Directives



- II:** Group II - Electrical apparatus for places with a potentially explosive atmosphere, other than mines susceptible to fire damp.
- 2:** Category 2 - see the board below.
- G:** Explosive gas atmospheres.
- D:** Explosive atmosphere in the presence of combustible dust.
- Ex:** The symbol Ex which indicates that the electrical apparatus corresponds to one of the protection type (EN 60079 – 0).
- db:** Type of protection for gas – enclosure “d”, level “db”.
- mb:** Type of protection for gas – encapsulation “m”, level “mb”.
- tb:** Type of protection for explosive dust atmospheres – protection by enclosure.
- IIC:** Electrical equipment of Group II is subdivided according to the nature of the explosive gas atmospheres – IIC, a typical gas is hydrogen.
- IIIC:** Electrical equipment of Group III is subdivided according to the nature of the explosive dust atmospheres – IIIC, conductive dust.
- Tx:** Temperature class: T4/T5 for Gas and T130°C/T95°C for Dust.
- Gb:** Equipment protection level [EPL] for explosive gas atmospheres.
- Db:** Equipment protection level [EPL] for explosive dust atmospheres.



The coil 30XDM Exdm is developed to fit Amisco operators. If a different operator is used, make sure that the coil powered with nominal voltage does not show a power consumption exceeding the values mentioned above.

At any case, before giving its approval, Amisco has to carry out consumption and thermic tests on the operator specimen; on the contrary these tests will be conducted by the Client himself who has to inform Amisco about the results obtained. In this case the Client will also be responsible for eventual malfunctionings incurred by using non-tested operators.

Week and year of production of the complete coil are printed on the upper side of the solenoid, as showed in the above drawing.

The coil has also an additional external connecting unit for the earth connection or for the equipotential bonding connection.

INFORMATION FOR USE

- Electrical installation should only be performed by qualified personnel.
- The electrical connection is done in the connection box on connector terminals. The introduction of the cable into the connection box passes through the built-in Cable Gland.
- Utilize a cable with a minimum diameter of 6mm (0.236") and a maximum diameter of 8mm (0.315").
- The coil is certified with the Cable Gland and Cable Clamp annexed. If needed, please ask Amisco for spare parts.
- Electrostatic charges product, clean only with wet clothes or antistatic products with power supply switched off.
- Do not open the cover when energized.
- The coil is NOT a resetting device. When a failure occurs and the internal thermal protection breaks off, the coil is no longer functioning.
- The integrated o-ring (Ø30x1.5mm), the cable gland and the 4 cover attachment screws assure the compliance with IP66 requirements. Take particular attention to avoid dirty or dust in these areas during the operation of assembling/dis-assembling.

Paderno Dugnano, April 20, 2016

Ing. Emanuele Mauri
Authorized Person