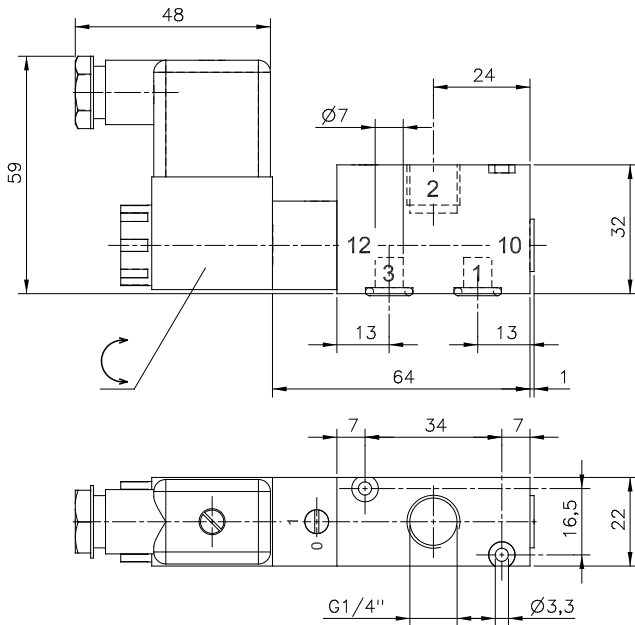
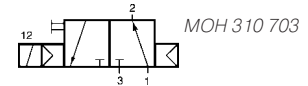
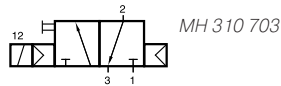


MH 310 703/MOH 310 703



MH 310 703/MOH 310 703



3/2-way solenoid valve normally closed (MH) or normally open (MOH) for assembling on a manifold plate. Port 2 G1/4" in the valve.

Available with solenoid operators :
230V/50Hz, 110V/50Hz, 24V/50Hz, 48V=, 24V=, 12V=.

Valves are equipped with manual override to be turned.

Manifolds are displayed on reverse side.

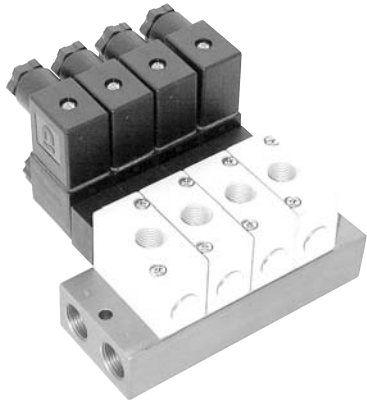
Valves normally open and normally closed can be mixed on one manifold plate!

Blanking plates are also available:
Type no. BP 3 703

Mounting screws, seals and connectors as shown on the photo are included.

Type	Function	Air flow	Operating press.	Power consumption	Weight
MH 310 703	n.c.	1250 l/min	2 - 10 bar	3 W = / 5 VA ~	0,20 kg
MOH 310 703	n.o.	1250 l/min	2 - 10 bar	3 W = / 5 VA ~	0,20 kg

R 3__ 703



Common connection to port 1 (pressure) and 3 (exhaust).

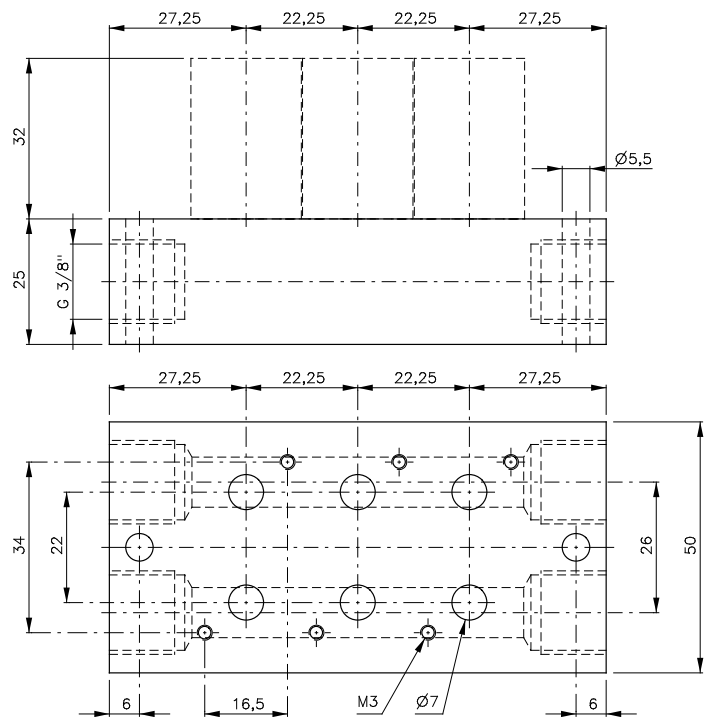
The following valves can be assembled to the manifold plate type R 3__ 703:

3/2-way n.c. MH 310 703

3/2-way n.o. MOH 310 703

Blanking plates are also available:

Type no. BP 3 703



Stations	Type	Weight
2	R 302 703	0,15 kg
3	R 303 703	0,21 kg
4	R 304 703	0,26 kg
5	R 305 703	0,32 kg
6	R 306 703	0,37 kg
8	R 308 703	0,48 kg
10	R 310 703	0,59 kg
12	R 312 703	0,70 kg