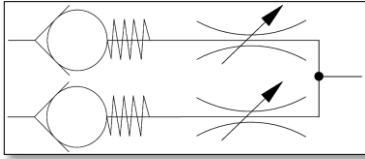
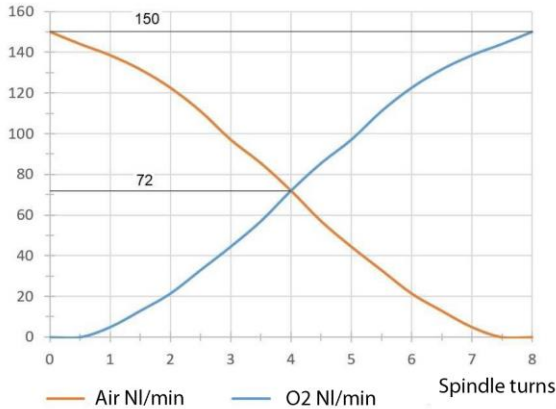


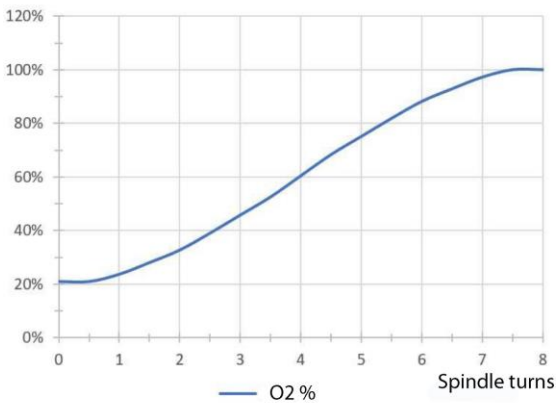
# O2 Mixing Valve: DMVR 501 OX



**AIR-FLOW RATE (4 BAR PRESSURE)**



**MIXTURE O2 %:**



The DMVR 501 OX combines two non-return flow regulating valves. Air flow can be set by two knobs on top of the valve.

The valve has two inlet ports and only one outlet port. It is typically used to mix two different gases. Additional gear to adjust the two gases in the same ratio can be quoted on request.

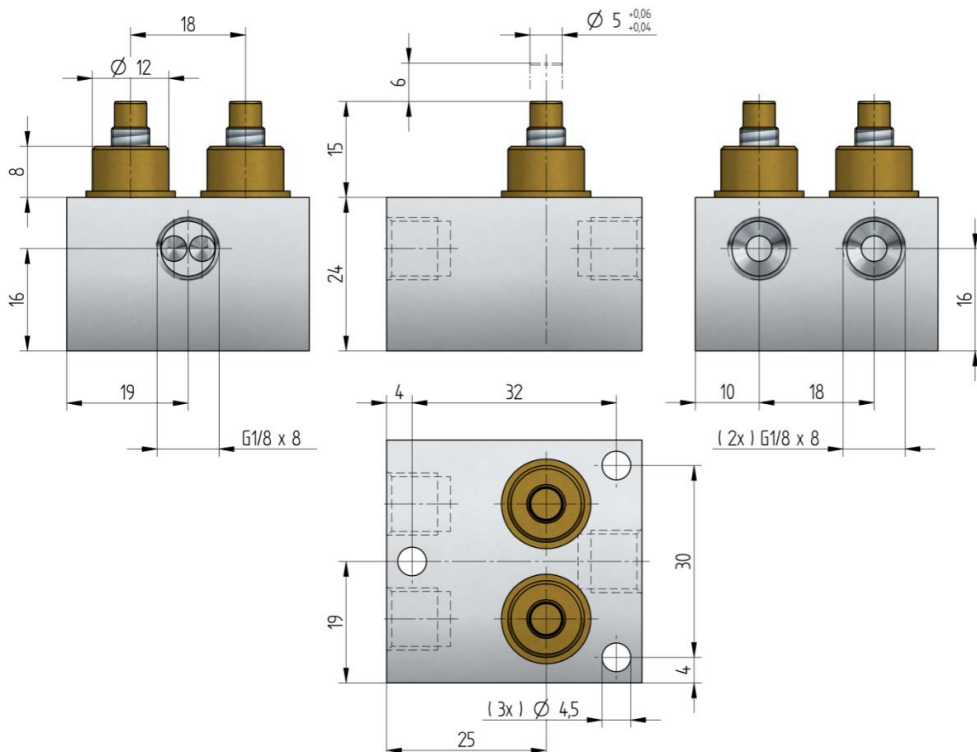
The mixing valve can also be used with pure oxygen (O2).

**Material list:**

- Body: 1.4404
- Inner parts: Brass, 1.4310, 1.4404
- Seals: NBR, FPM

**Air-flow rate @ 4 bar pressure:**

- Throttles closed: leakage max. 4 cm<sup>3</sup>/min
- Throttles half opened: 72 NI/min (+/- 3%)
- Fully open: 150 NI/min (+/- 3%)



Type	Port size	Max. air flow @ 10 bar	Operating press.	Temperature range	Weight
DMVR 501 OX	G 1/8"	450 l/min	0 - 10 bar	-10°C - +60°C	0,080 kg

